



# ASSEMBLY MANUAL

# CABINET RACK

**SR-CAB-8U**

**SR-CAB-10U**

**SR-CAB-12U**

**SR-CAB-14U**



## STRONG IN-CABINET RACKS

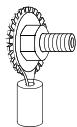
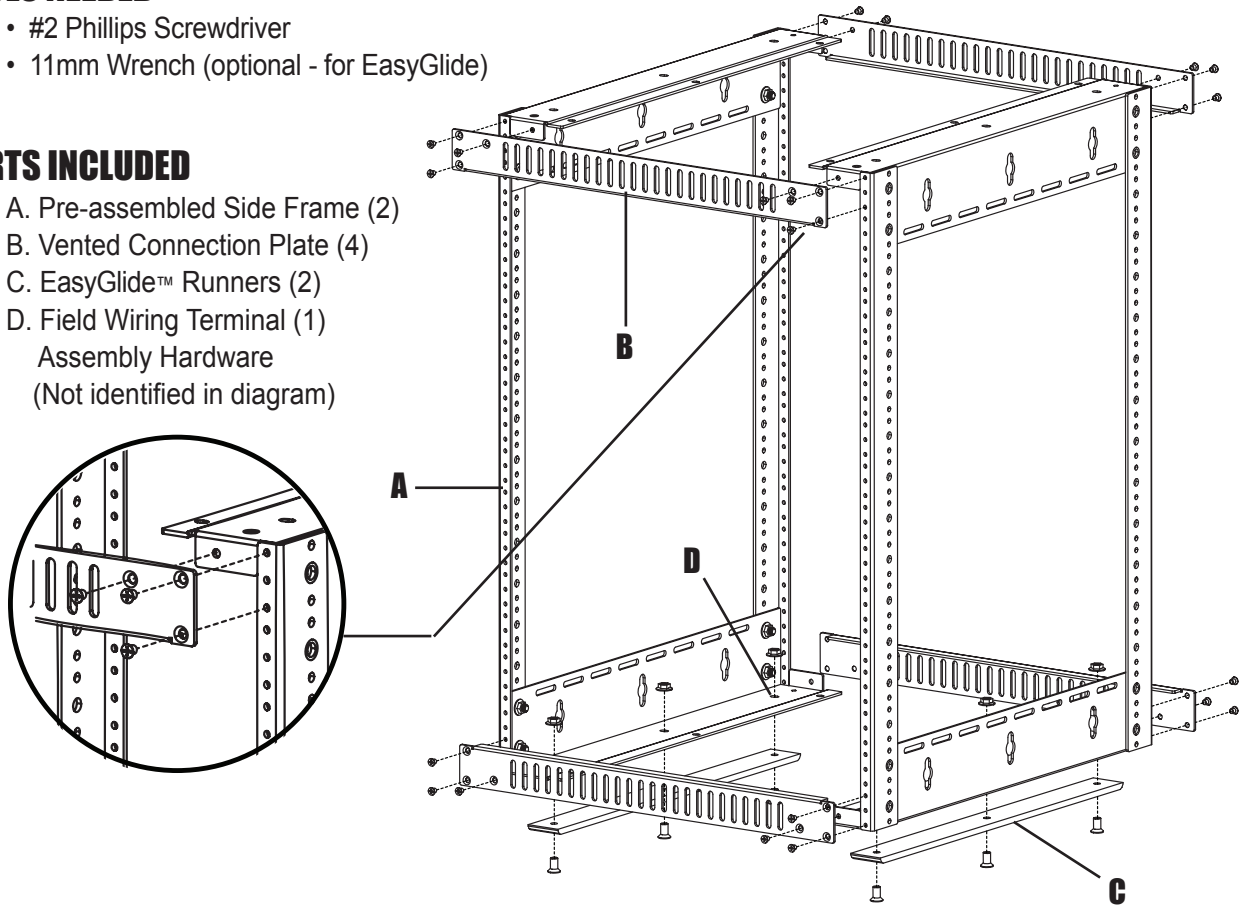
Strong™ equipment racks are available in sizes 8U to 14U and are constructed with 13 gauge (2.5mm) thick horizontal side rails to provide unmatched rigidity. Advanced features include: EasyGlide™ runners to easily slide in or out of a cabinet, and E-coated rack rails to maintain clean threads.

## TOOLS NEEDED

- #2 Phillips Screwdriver
- 11mm Wrench (optional - for EasyGlide)

## PARTS INCLUDED

- A. Pre-assembled Side Frame (2)
- B. Vented Connection Plate (4)
- C. EasyGlide™ Runners (2)
- D. Field Wiring Terminal (1)
- Assembly Hardware  
(Not identified in diagram)



To ground cabinet, connect the ground wire to the field wiring terminal (D) on the bottom side of the frame using a UL listed closed loop connector with a minimum 12AWG wire. Use the included #10 internal tooth washer and 10-32 nut to tighten the connection.



## ASSEMBLY STEPS

Assemble the rack on a level surface to ensure that the arms, base and top remain square.

1. Position the pre-assembled side frames on a flat surface with the rack pillars facing you, and the mounting hardware in reach.
2. Line the vented connection plate up with the side frames so that the screw holes line up.
3. Screw the 3 screws in on each side by hand. Do not tighten. Note: For grounding, include a #10 washer between the screw and connection plate in each corner.
4. Once all the connection plates are lined up, tighten the screws.
5. Install the EasyGlide™ Runners on the racks as shown in the above diagram if the rack will not be used with the SR-RACKSLIDE-300. Insert the screws through the bottom of the rails and fasten from the top using the included nuts and an 11mm wrench.



**CAUTION:** This rack is intended for use only with Strong™ shelf models with a maximum combined load of 250 pounds. Use with heavier than the maximum load indicated may result in instability causing possible injury.

UL Listing covers the equipment rack only.

## ACCESSORY INSTALLATION

1. Determine the desired layout of the components, their space requirements, and where the vents and blanks will need to be placed.
2. Starting with the shelf at the bottom of the rack, unpack shelf, keeping in mind the heaviest components should be placed at the bottom of the rack.
3. Unfold shelf side panels and mount shelf in desired rack location using four Strong™ rack screws. *Note: accessory mounting screws are not included with shelves, vents or blanks (only with racks).*
4. Install component(s) onto shelf.
5. Repeat steps 2-4 for the remaining shelves.

A vent should be placed above components that generate excessive heat, such as surround receivers, amplifiers, satellite receivers, DVRs, cable boxes and media servers.

## OPTIONAL ACCESSORIES

- **RACK SLIDE** - An optional rack slide (SR-RACKSLIDE-300) is available to install with the In-Cabinet Racks in cabinetry or wall applications, enabling the rack to be pulled out and rotated.
- **CABINET TOP & BOTTOM COVERS**

## RACK SCREWS

Screws are **not** included with Strong™ rack accessories, but extra screws are available (SR-SCREWS-200JAR) for purchase. One no-roll jar includes 200 black 10-32 screws featuring #2 Phillips heads and captive nylon washers.

## **LIFETIME LIMITED WARRANTY**



All Strong™ products have a Lifetime Limited Warranty. This warranty includes parts and labor repairs on all components found to be defective in material or workmanship under normal conditions of use. This warranty shall not apply to products which have been abused, modified or disassembled. Products to be repaired under this warranty must be returned to SnapAV or a designated service center with prior notification and an assigned return authorization (RA) number.

**For Technical Support : 1.866.838.5052**

