

# WATERFALL AUDIO

SOUND DESIGNERS



## DATA SHEET

### HF2-250

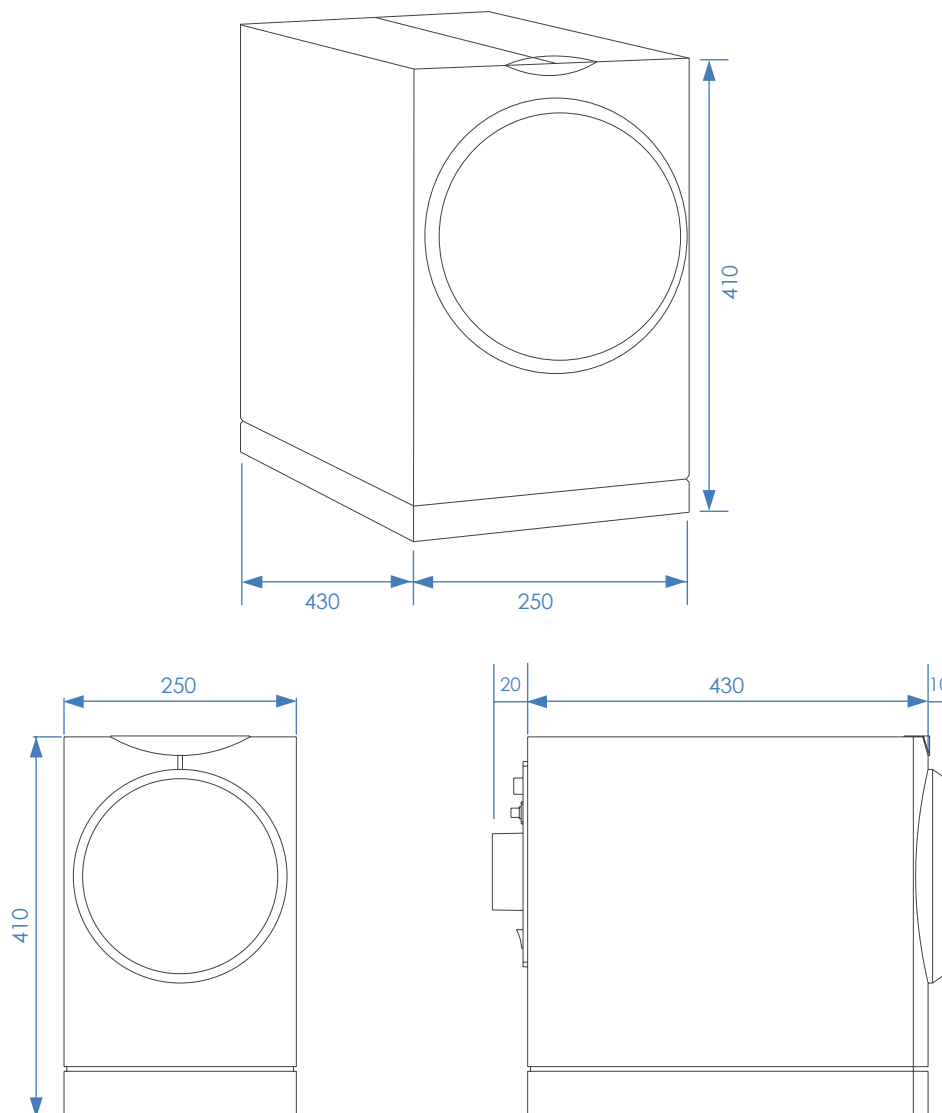
Made in France

#### KEY POINTS

- Equipped with 23 cm / 9" Atohm LD230 long excursion driver (32mm / 1.25" cone excursion)
- Featuring "X-guard Technology": control of the driver's cone excursion
- Amazing performance /size/price ratio
- Low distortion: musical bass performances and high acoustical level
- Installation and connections flexibility for Hifi or Home cinema (amplifier /integrated pre-amplifier with or without pre-out exit)
- Wide tuning possibilities: phase inverter, variable frequency cut off, variable slopes: 24 or 12 dB/oct or LFE mode (for Home cinema use)
- Bass reflex located at the back
- Dual voltage choice: 110 V / 220 V
- Available in black or white

#### APPLICATIONS AUDIO

- Hifi as bass support of Waterfall satellites ( 2.1 configuration ) for Hurricane Evo and Elora Evo LR
- Home cinema subwoofer for all Waterfall speakers (Pack 3, 4 & 5)
- Suitable for rooms 20 to 40 m<sup>2</sup> / 215 to 430 ft<sup>2</sup>




## TECHNICAL DETAILS

TYPE	ACTIVE / BASS REFLEX
INTEGRATED AMPLIFIER	250 W / X-GUARD TECHNOLOGY
PEAK POWER	300 W
FREQUENCY RESPONSE (+/- 3 dB)	33 Hz - 150 Hz
PHASE CONTROL	Switch 0° / 180°
CROSSOVER FREQUENCIES	VARIABLE 40 Hz TO 150 Hz or LFE MODE
BASS DRIVER	1 x 230 mm / 9" ATOHM LD230
DIMENSIONS (width x depth x height in mm) (approx. inches)	250 x 430 x 410 / 9.84" x 16.93" x 16.14"
WEIGHT Kg / approx. lbs	20 Kgs / 44 lbs

## WATERFALL AUDIO

ZA les praderies - 83 570 Carcès - France  
 Phone: **+33 (0)4 98 05 11 30**  
[export@waterfallaudio.com](mailto:export@waterfallaudio.com)

Made in France. 5 years warranty on speakers, 2 years warranty on amplifiers (parts & service).  
 We operate a policy of continuous improvement and reserve the right to amend designs and specifications without prior notice.

 All drivers are developed and manufactured by Atohm (France).